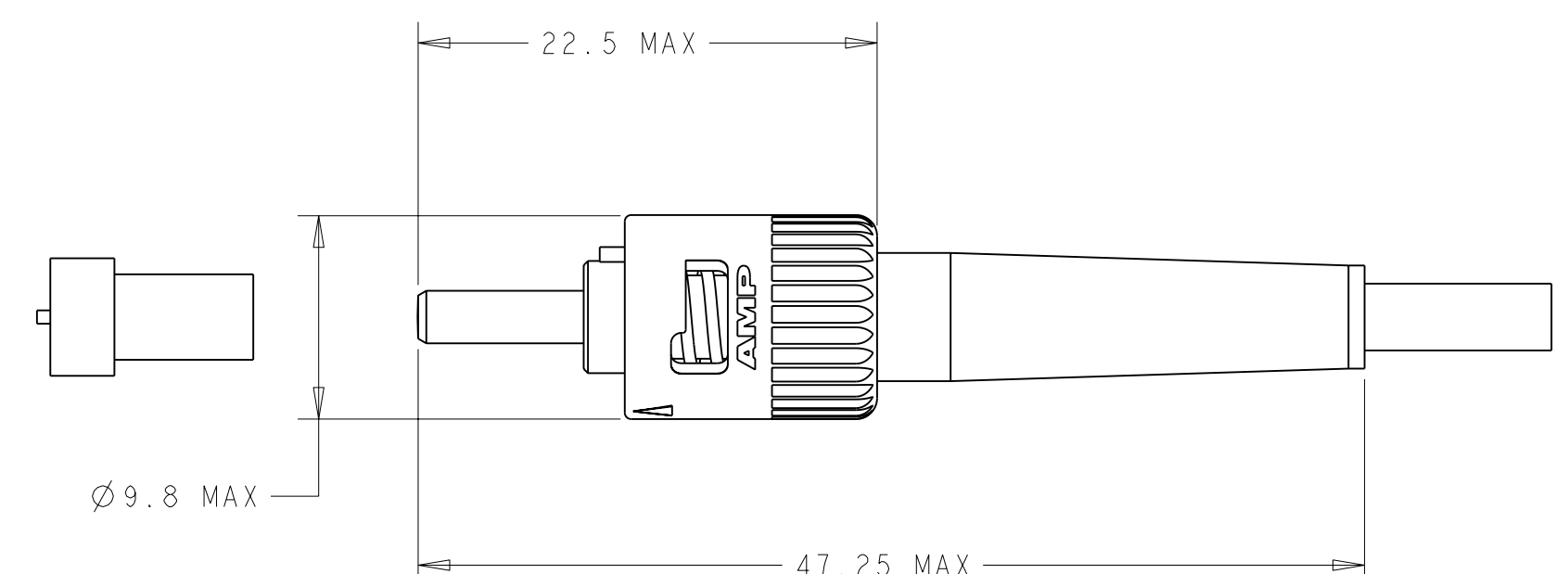
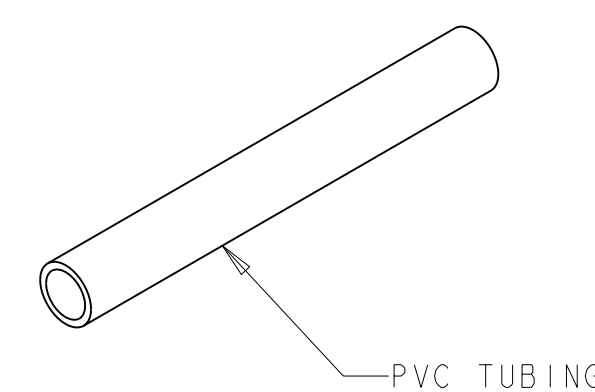
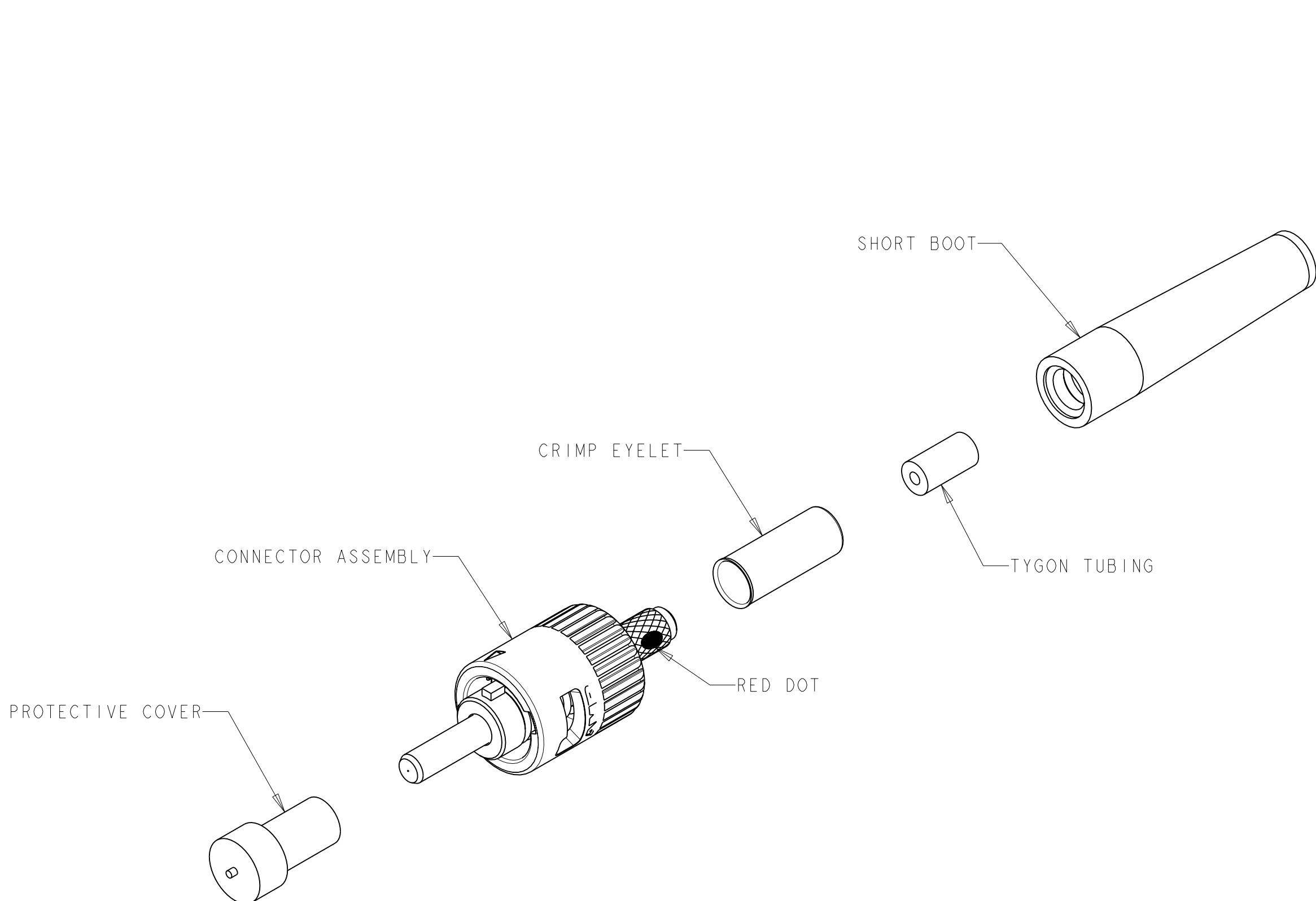


THIS DRAWING IS UNPUBLISHED. RELEASED FOR PUBLICATION 20
 © COPYRIGHT 20 BY TYCO ELECTRONICS CORPORATION. ALL RIGHTS RESERVED.

LOC		DIST		REVISIONS			
P	LTR	DESCRIPTION	DATE	DWN	APVD		
CE	00	B	REVISE PER ECR-06-003181	09FEB2006	BB	SB	



1 MATERIAL:
 PROTECTIVE COVER: LDPE, COLOR: BLACK, NON-FR.
 CONNECTOR ASSEMBLY:
 FERRULE ASSEMBLY: CERAMIC/NICKEL PLATED BRASS.
 SPRING: STAINLESS STEEL.
 COUPLING NUT: ZINC.
 RETENTION RING: STAINLESS STEEL.
 CRIMP EYELET: TIN PLATED COPPER.
 SHORT BOOT: TPE, SEE DASH NUMBERS FOR COLOR*
 TYGON TUBING: TYGON, COLOR: CLEAR.
 PVC TUBING: PVC, COLOR: BLACK, NON-FR.
 *UL94 V-0 RATED AT QUALIFYING THICKNESS.

2 BULK PACKAGE.

2	PVC	YELLOW	126 µm	5502580-8
2	-	BLUE	126 µm	5502580-7
2	-	YELLOW	126 µm	5502580-4
	PVC AND TYGON TUBING	YELLOW	126 µm	5502580-2
		SHORT BOOT	FIBER SIZE	PART NUMBER

THIS DRAWING IS A CONTROLLED DOCUMENT FOR TYCO ELECTRONICS CORPORATION. IT IS SUBJECT TO CHANGE AND THE CONTROLLING ENGINEERING ORGANIZATION SHOULD BE CONTACTED FOR THE LATEST REVISION.

DIMENSIONS: mm [INCHES]	TOLERANCES UNLESS OTHERWISE SPECIFIED: 0 PLC ± 1 PLC ± 2 PLC ± 3 PLC ± 4 PLC ± ANGLES ±	FINISH	DWN B. BRIGGS 05APR2005 CHK S. BUCHTER 05APR2005 APVD S. BUCHTER 05APR2005	NAME AMP Tyco Electronics Harrisburg, PA 17105-3608
MATERIAL			PRODUCT SPEC	CONNECTION KIT, 2.5mm BAYONET, SINGLEMODE, OPTIMATE
			APPLICATION SPEC	
			WEIGHT	SIZE A2 CAGE CODE 00779 DRAWING NO C=5502580 RESTRICTED TO
			CUSTOMER DRAWING	SCALE 3:1 SHEET 1 OF 1 REV B